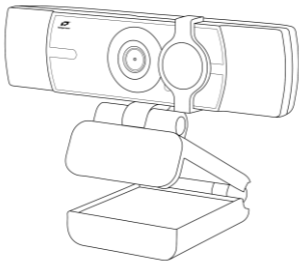
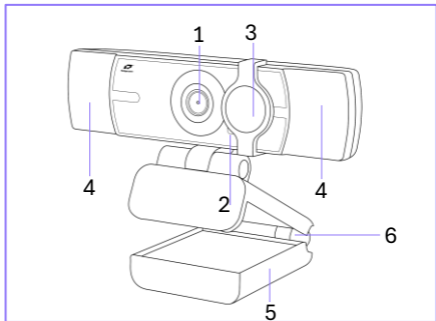


4K UHD Webcam



User Manual
V1.0

Explanation



- | | |
|----------------------------|----------------|
| 1. High quality glass lens | 2. LED light |
| 3. Privacy lens cover | 4. Microphones |
| 5. Clip mount | 6. Spindle |
| 7. USB2.0 (Type-A) port | |

Product Features

UHD

1/2.55" 12.2MP Ultra high definition CMOS sensor.

View Angle: **81.5°**(Diagonal); **69.8°**(Horizontal)

Built-in **2** omnidirectional microphones

DZoom

Support 3X digital zoom

AI AF

AI auto focus.

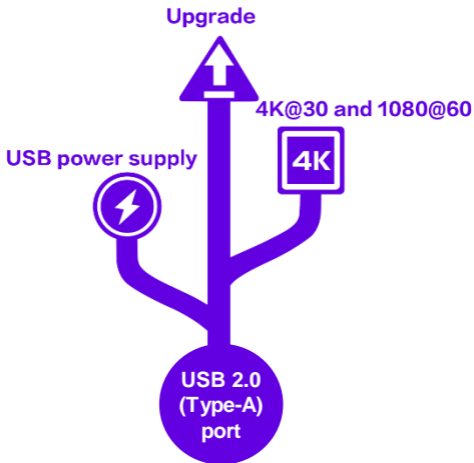
ePTZ

Electronic Pan-Tilt-Zoom

USB2.0 output, supports MJPG, YUY2 compression format

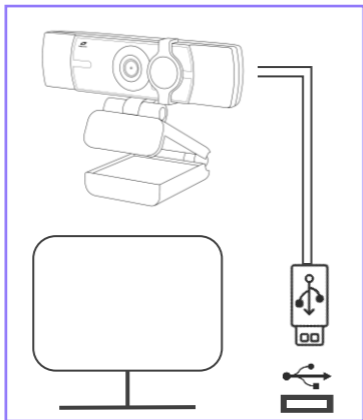
USB2.0 (Type-A) Port

A USB2.0 (Type-A) cable provides video output, camera control, power supply, and program upgrade.



Connection

1. Connect your computer to the webcam via the included USB2.0 (Type-A) cable (1.5m).



2. Plug and play, no need to install any driver, supports the standard UVC protocol.
3. The LED will light up when the app is using the webcam.

Video Format

- Output both MJPG and YUY2 two compression video, capable of supporting 3840*2160@30 and 1920*1080@60.
- Supports Windows, MAC OS, Android, Chrome and Linux operating systems.

MJPG

4000*3000P15/10; 3840*2160P30/15/10;
2592*2194P30/15/10; 2048*1536P30/15/10;
1920*1080P60/30/15/10;
1600*1200P30/15/10; 1280*720P30/15/10;
800*600P30/15/10; 640*480P30/15/10;
320*240P30/15/10;

YUY2

640*480@30/20; 640*360@30/20;

Mic Parameters

Built-in high-quality microphone, clear and comfortable sound pickup.

2 Omnidirectional
microphones

Sensitivity:
 $-26 \pm 2\text{dB}$
 $R_L = 2.2\text{K}\Omega$
 $V_s = 2.0\text{V}$



S/N Ratio:
64dB

Pickup distance:
3m

Installation



(A)



(B)

(A) The webcam is fixed on the screen.

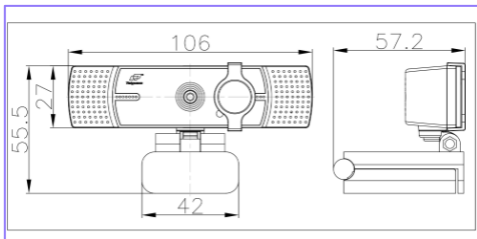
(B) The webcam is fixed on the tripod.

Size & Weight

Webcam Size: 106mm × 57.2mm × 55.5mm

Package Size: 144 × 103.5mm × 50mm

Webcam size



Net Weight: 150g